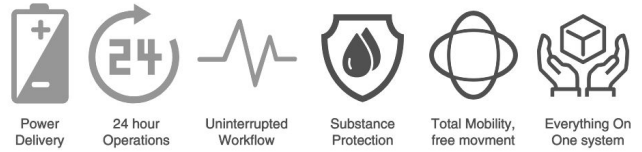


Marketing Datasheet Non-Powered Workstation

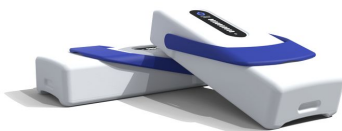


The MITCart is a beautifully engineered and elegant medical cart, which is extremely light and versatile. It occupies a minimal footprint with fully integrated cable management for non-cluttered work space, helping to maximise the effectiveness of the working environment while keeping it clean.

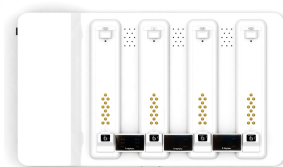
It has both 5 wheel star base or 4 wheel base options for different applications, offering an ergonomic solution for a fast paced healthcare environment. For complete mobility, the solution can be fitted with our award winning Geni-Tec Power solution, for “hot-swappable” battery replacement for continuous uninterrupted use.

Features

- Easy cleaning
- Lightweight & maneuverable
- Ergonomically designed
- Height adjustable or fixed
- Small footprint for space saving
- Integrated cable management
- Tablet and monitor mounts available
- Geni-Tec power system for hot Swappable Power
- Versatile across multiple applications or uses.



Geni-Tec compatible



Quad Bay Charger

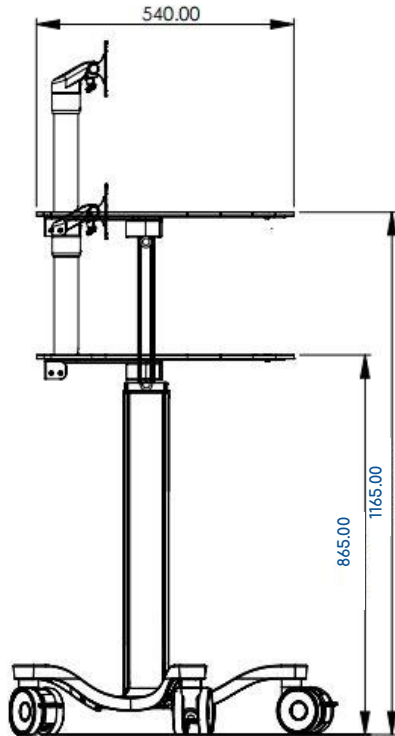
Mount limit	Max Weight	Adjustable	Tilt	Pan	Rotation	Vesa	Castors
Max 12kg	Max 18kg	865mm-1165mm	95°	360°	Optional	100mm/75mm	All brakes

Customization

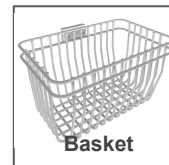
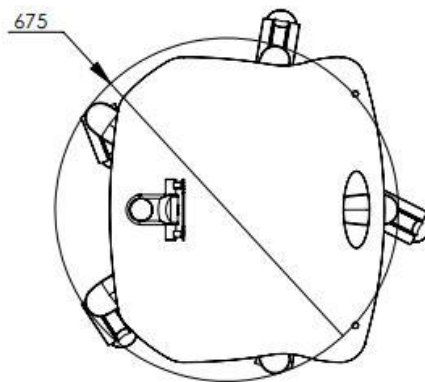
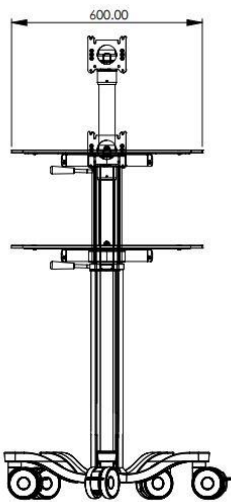
For customisation options please contact the sales team on +44 (0) 1737 378 820

Technical Datasheet

Non-Powered Workstation



	Height Adjustable	Fixed Height
Height	865mm to 1165mm (300mm range)	875mm (Standard) or Various height options
Max Carrying Load	18 kg (subject to height)	
Base size	675mm diameter - 5 wheel base, 561 mm x 557 mm - 4 wheel base	
Accessories Available	Handle, Basket, Medi-Rail, Cable Hook, Drip Pole, PSU Adapter Holder, Keyboard Tray	
Castors	5 castors, 100 mm, all braked 4 castors, 100 mm, all Braked	
Compliance	CE,	



Ordering

Please find the part number configurator below. For more configurations please visit our website.

Family	Product Description	Part Number
MIT	Single display mount workstation cart with fixed height, extrusion length (1000mm) - 5 star base 675mm 100 mm Standard wheels	WOW-S10D-0457
	Single display mount workstation cart, height adjustable (300mm), extrusion length (710mm) - 5 star base 675mm 100 mm Standard wheels	WOW-S10D-0547
	Workstation cart with laptop mount, fixed height, extrusion length (710mm) - 5 star base 675mm 100 mm standard wheels	WOW-L10D-0457
	Workstation cart with laptop mount, height adjustable (300mm), extrusion length (710mm) - 5 star base 675mm 100 mm standard wheels	WOW-L10D-0547

Notice

Bytec Healthcare takes reasonable steps to ensure that all technical information and recommendations disclosed in our datasheets, brochures and website are based upon our experience and research, it is provided in good faith. Users shall independently determine the suitability of the products shown for their particular regional requirements and intended use, and will ensure that they meet the relevant regulations for the countries of use, as these may differ greatly from country to country. As such we accept no liability whatsoever for any inaccuracies herein disclosed. Please feel free to contact our technical teams, who would be delighted to advise you on specific regulatory issues. Bytec Healthcare reserves the right to alter, delete or make obsolete any product featured in its brochures, datasheet and website without prior notice. E&OE. © Copyright Bytec Healthcare Limited 2019 MIT-CART is a trademark of Bytec Healthcare Ltd.