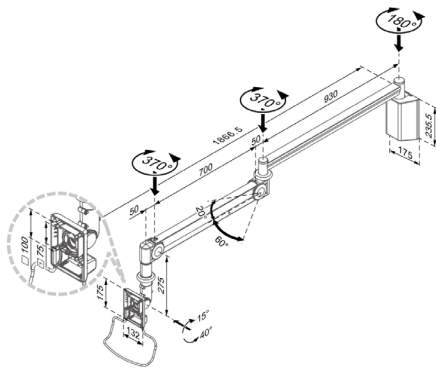




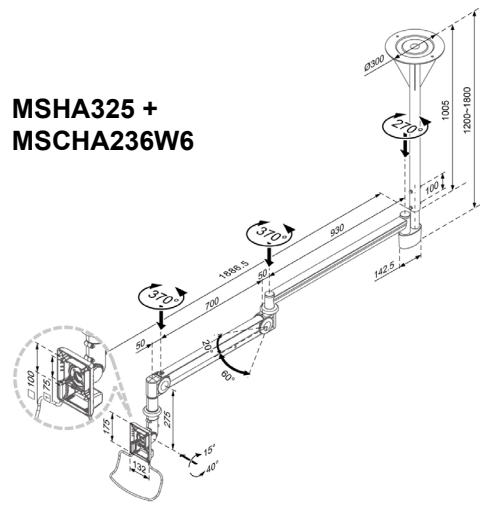
Hospital monitor arm MSHA325



MSHA325



**MSHA325 +
MSCHA236W6**



Hospital monitor arm

MSHA325 is a medical monitor arm for wall mounting, it can also be combined with MSCHA236W6 to be used as a ceiling mount.

This monitor arm can be rotated 370 degrees on both joints and with its long reach it becomes easy to manage, especially with the handle below the monitor.

Cables for the monitor can be safely hidden inside the arm.

The mounting arm's monitor attachment supports displays with VESA 75 and 100 mm, that weighs 6 to 12 kg.

MSHA325 is very robust monitor arm.

Specification

Color	White
Max weight, monitor	6 ~ 12 kg
VESA standard	75 x 75 / 100 x 100 mm

Part no.

Product	Description
MSHA325	Complete monitor arm for wall mounting.
MSCHA236W6	Ceiling mount option for MSHA325.

